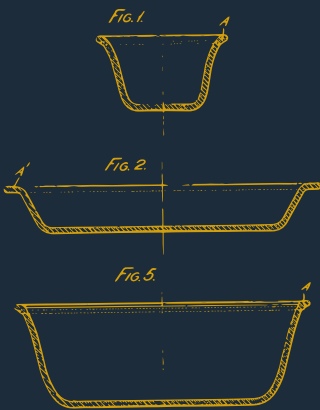
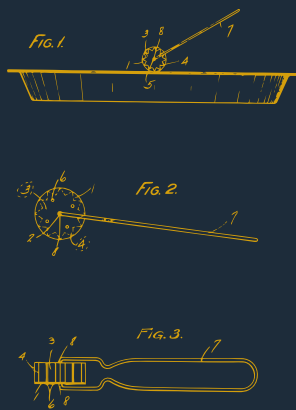


Great Moments in Thanksgiving IP



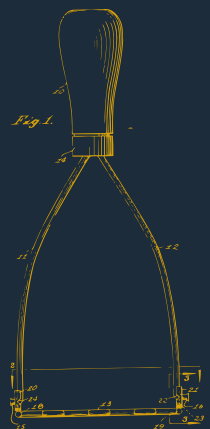
1919

Pyrex cookery
is patented.



1925

The pie crust
cutter is patented.



1951

The potato masher
is patented.

2022: HFZ turns 20

As our firm celebrates its 20th anniversary, we extend special thanks to our clients, colleagues and friends.

We appreciate the trust you have placed in us over the past two decades, and we look forward to working with you in the years to come.